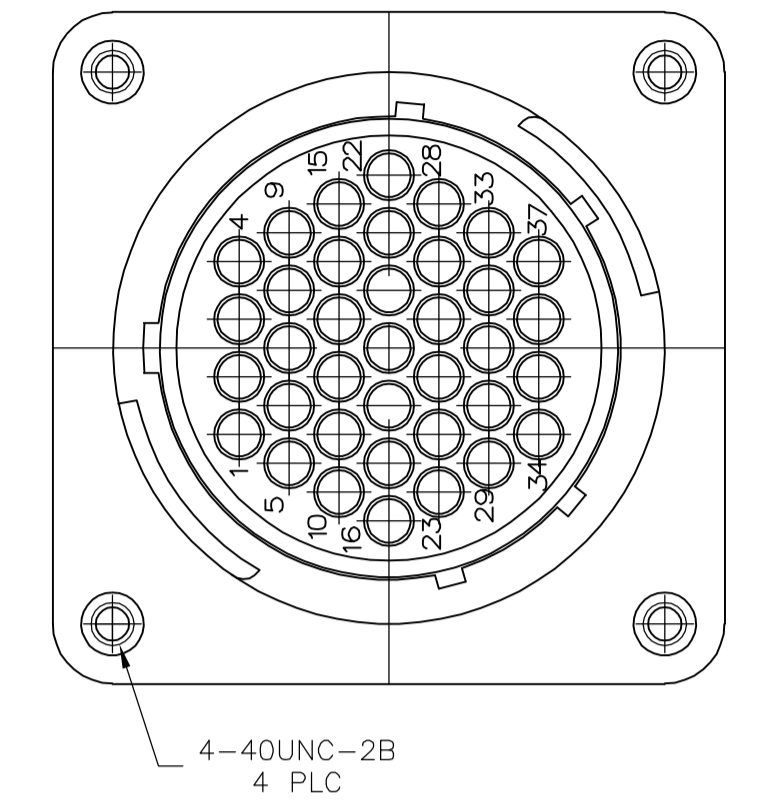
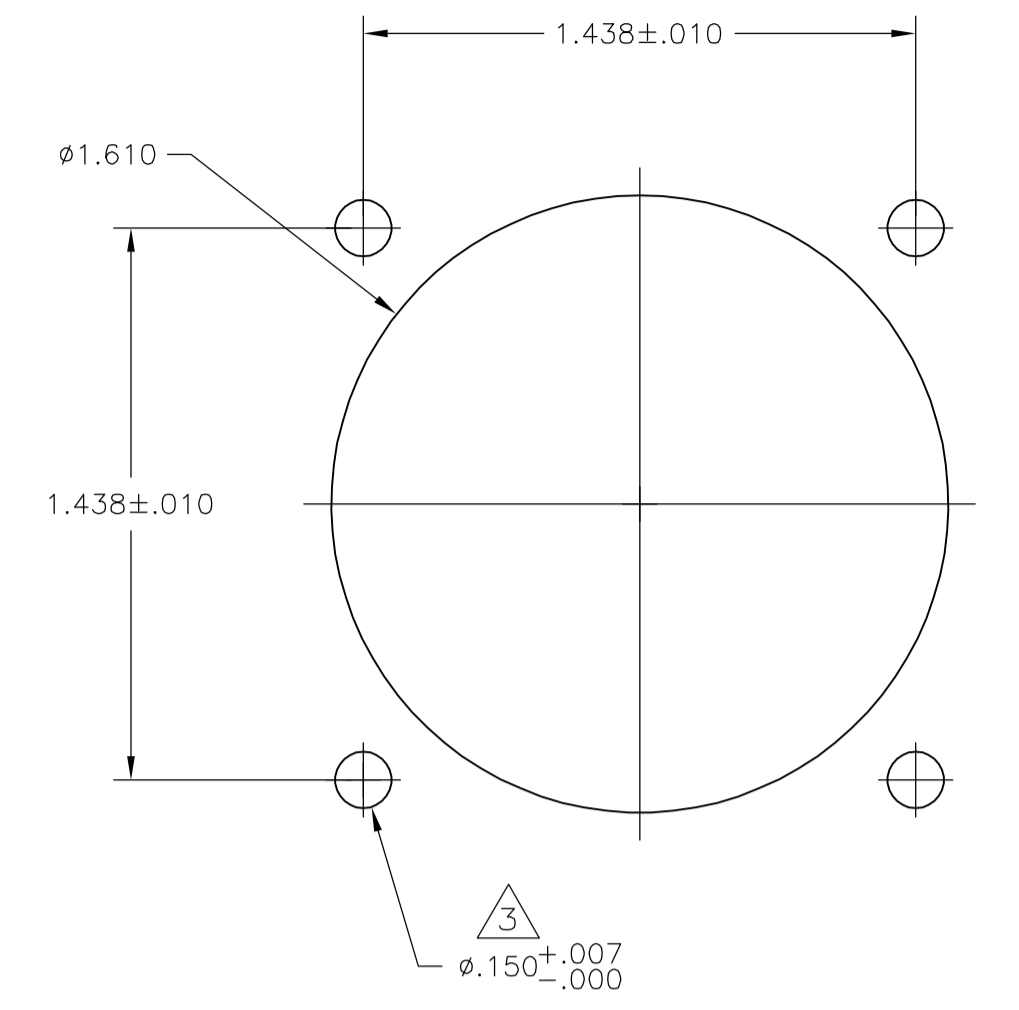
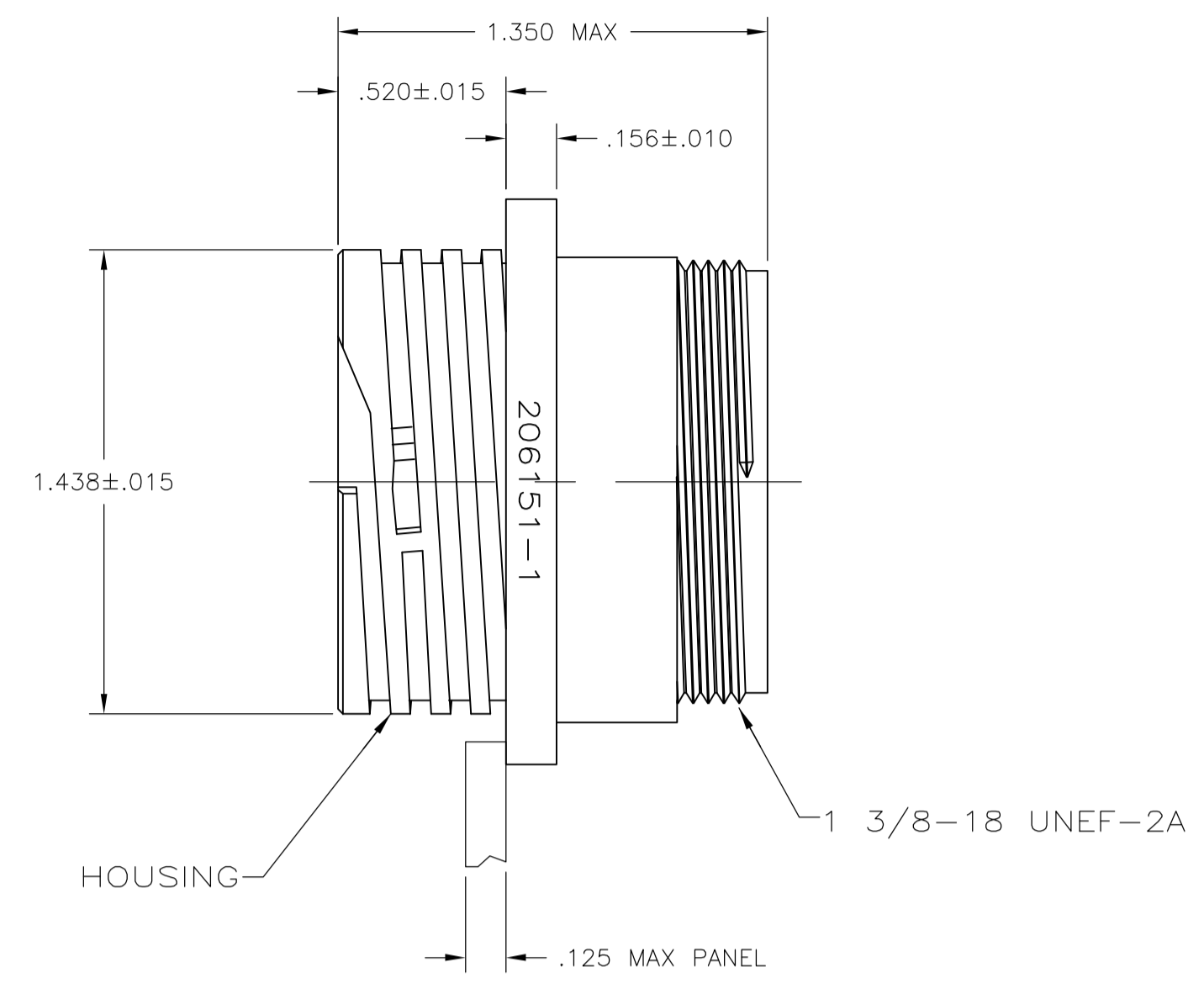
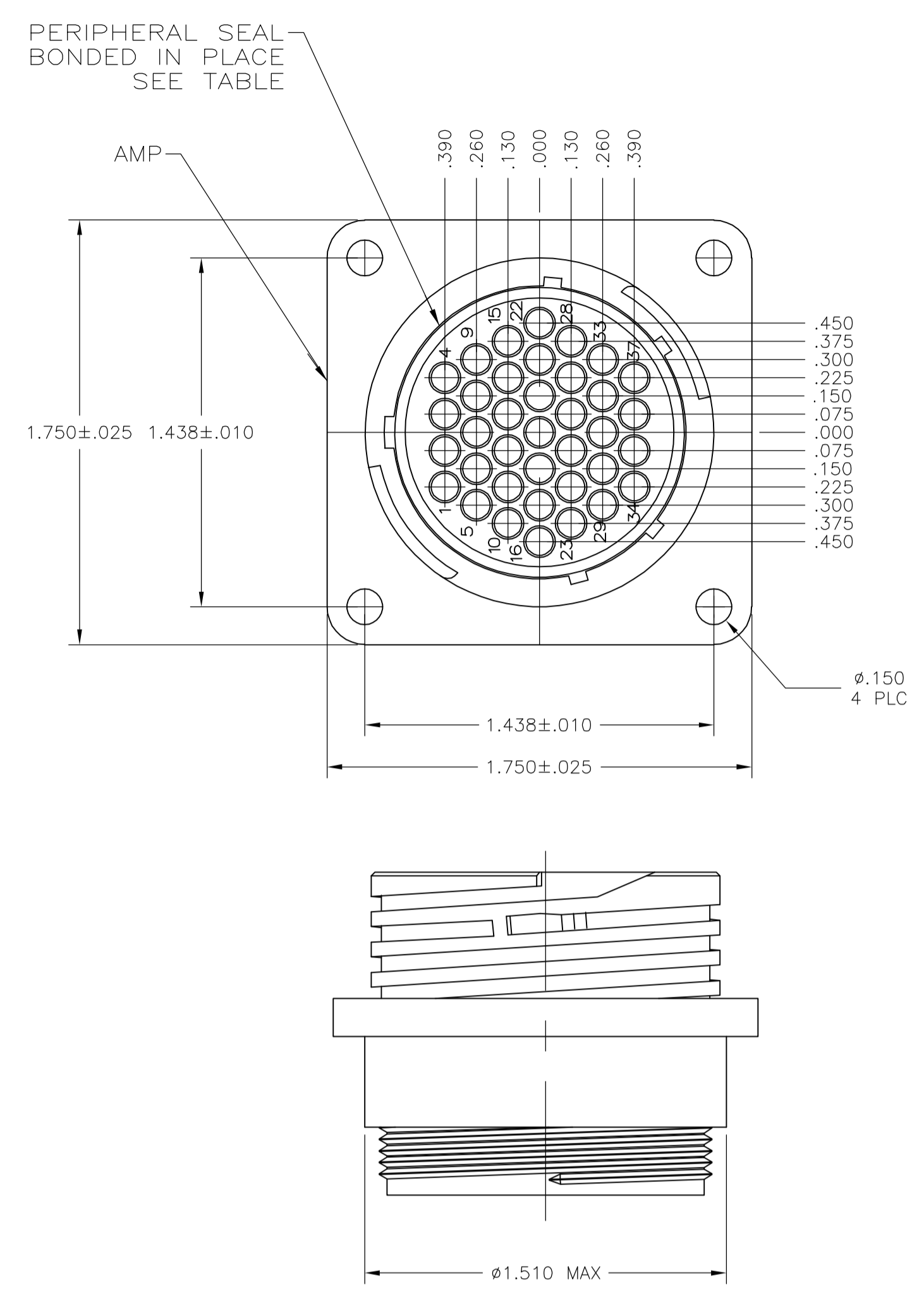


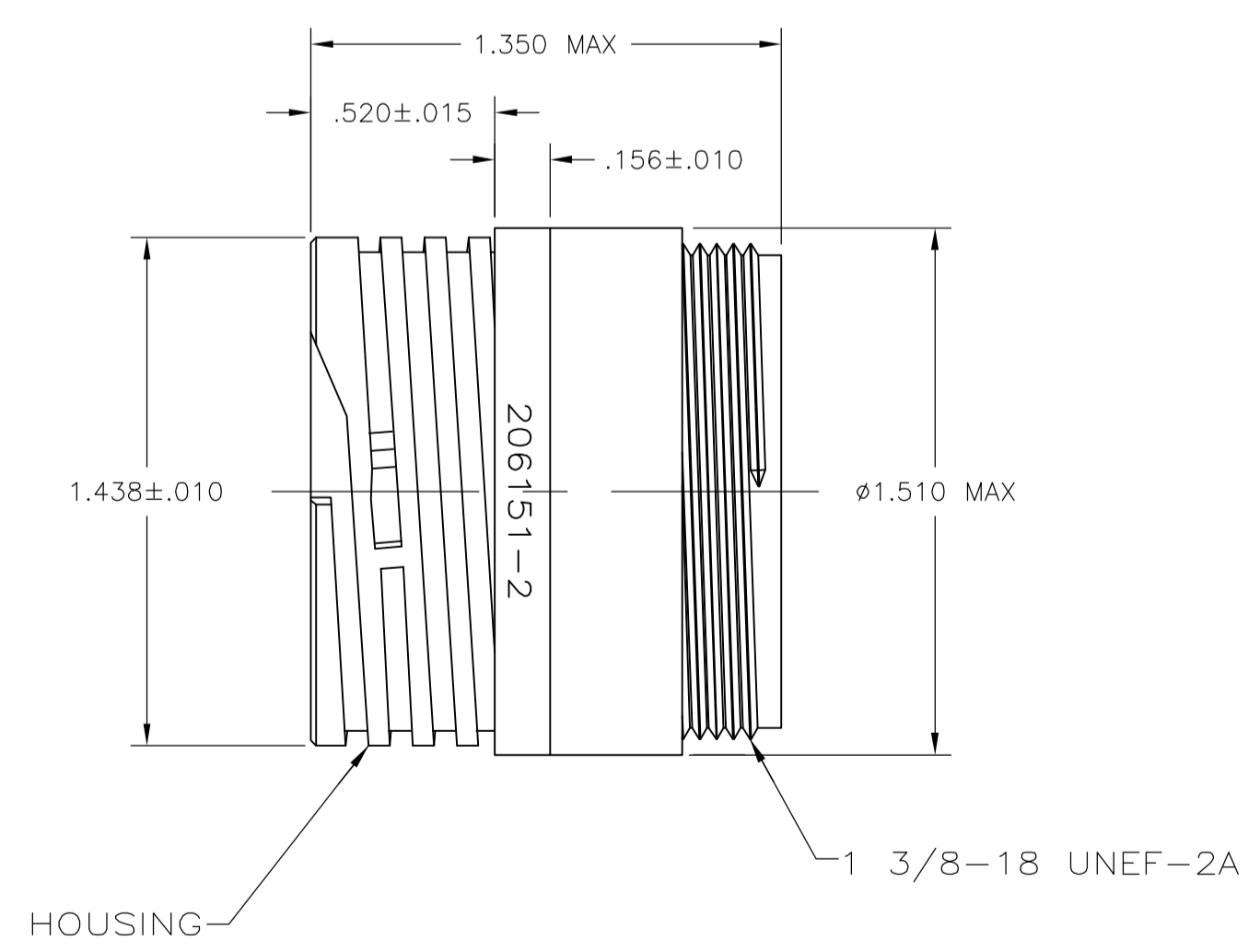
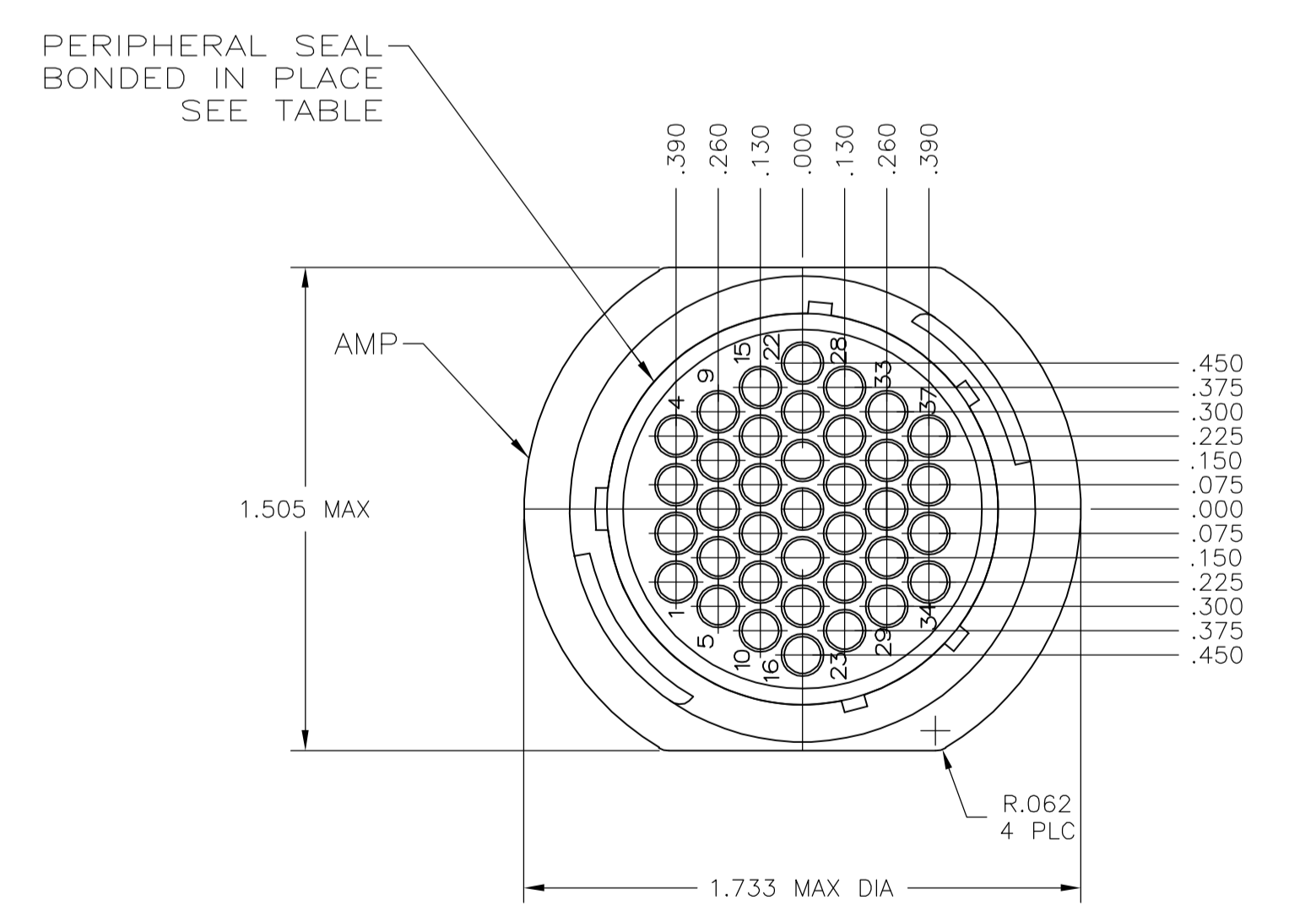
LOC		DIST		REVISIONS			
FT	0	P	LTR	DESCRIPTION	DATE	DWN	APVD
		L1		REVISED PER ECO-06-831	1/12/06	SS	SH



DETAIL A

RECOMMENDED PANEL CUTOUT

DETAIL C
206151-6 ONLY



DETAIL B

STANDARD	YES	A	206151-8
STANDARD	NO	A & C	206151-6
SMALL PACK	NO	A	206151-5
STANDARD	YES	B	206151-4
STANDARD	YES	A	206151-3
STANDARD	NO	B	206151-2
STANDARD	NO	A	206151-1
PACKAGING	PERIPHERAL SEAL	SEE DETAIL	PART NUMBER

1. CAVITY IDENTIFICATION ON FRONT AND REAR FACE.
 2. WILL ACCEPT THIRTY-SEVEN (37) MULTIMATE PIN CONTACTS.
- NO 4 FASTENER RECOMMENDED FOR MOUNTING.
 WHITE DOT NEAR POSTION 1 ON WIRE ENTRY FACE.

THIS DRAWING IS A CONTROLLED DOCUMENT.

DIMENSIONS: INCHES	TOLERANCES UNLESS OTHERWISE SPECIFIED:	DWN: S SCHLEGEL 06DEC2002	APVD: A FRANTUM 8/13/83	NAME: R STONE 8/13/83	RESTRICTED TO: -
0 PLC ± -	1 PLC ± -	Tyco Electronics Corporation		SIZE: A1	SCALE: 2:1
2 PLC ± -	3 PLC ± .005	Harrisburg, PA 17105-3608		WEIGHT: -	SHEET 1 OF 1
4 PLC ± -	ANGLES ± -	RECEPTACLE HOUSING, STANDARD SEX, SHELL SIZE 23, CPC		CUSTOMER DRAWING	REV L1